

OMEGA "M" VAULT DOOR



 **FICHET-BAUCHE**
The world's number one safe maker.

 U.L. LISTED CLASS M



U.L. CLASS M RATING

FICHET-BAUCHE has designed a Class M vault door to meet and exceed the requirements of the Underwriters' Laboratories.

The OMEGA "M" vault door resisted more than 15 minutes of formidable attacks conducted by the well-trained U.L. testers, who used:

- oxy-acetylene torches coupled with a flux rod,
- electric and sledge hammers,
- a powerful coring machine with carbide tips.

In addition, several attempts to defeat the boltwork and to release the locking mechanism proved unsuccessful.



CONSTRUCTION

The OMEGA "M" vault door is designed to fit either a class M modular vault or a traditional poured vault.

Its defense barrier is 3½" thick and is composed of two unique FICHET-BAUCHE materials sandwiched between the outer and the inner steel plates: DRA-AGGAMIX and TORDBAR.

DRA-AGGAMIX is an extra-hard and abrasive fire resistant agglomerate filled with metallic reinforcements. It provides very high resistance to the most powerful mechanical tools.

DRA-AGGAMIX's strength is higher than 8,000 PSI and it also offers very high torch and fire resistance.

TORDBAR is a strong-room type reinforcement made of steel flat bars which are cut into strips running off a central bar and then twisted into a spiral shape.



LOCKING MECHANISM

The OMEGA "M" vault door is secured either by two Group 1 manipulation proof combination locks or by one such combination lock and by one unique FICHET-BAUCHE "MONOPOLE" high security keylock.

The locking mechanism is protected against torching, drilling and punching by two glass plates and six independent relockers.

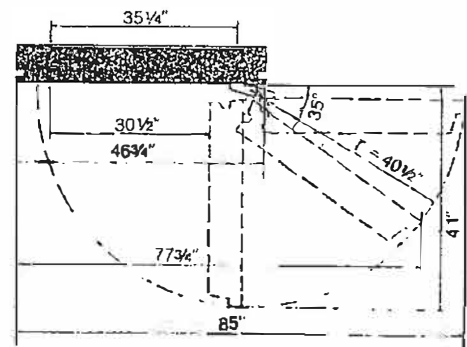
Nine heavy 1½" bolts (three on top and six on the side) fit into individual bolt housings and lock the door shut tight.

OPTIONS

- Right or left swing,
- Three-movement time lock,
- Emergency escape device,
- Stainless steel fascia plates, hinge cover, or full cladding, etc.,
- etc.

SPECIFICATIONS

	HEIGHT	WIDTH
OUTSIDE DIMENSIONS:	84"	46½"
CLEAR OPENING:	78¾"	35¼"
	OVERALL	DEFENSE BARRIER
DOOR THICKNESS:	6½"	3½"
WEIGHT:	1,900 lbs.	
DOOR FRAME THICKNESS:	7"	



MEGASAFE

HIGH SECURITY SAFES

(800) 345-6552 www.megasafe.com